

Arriva

Hinge installation instructions





EZY-Jamb butt hinge Installation instructions



> STEP 1 Identify correct hinge

The EZY-Jamb butt hinges have been specifically designed for the EZY-Jamb Arriva doorset. They are designed to be surface mounted to the frame and door.



EZYJamb®

EZYriser™

> **STEP 2** Measure and mark

Start off by marking your hinge centres on the door leaf.



> **STEP 3** Fix hinges

Push the barrel of the hinge up to the edge of the door. This should create an overhang on the opposite edge of 1mm. Pilot drill the holes and fix into place using the screws provided.



> **STEP 4** Mark frame

Once the hinges are fitted to the door, stand the door up and take to the door opening.

Accurately mark the position of the top hinge on the frame, making an allowance for a 3mm gap at the top of the door.



> **STEP 5** Test fit

Open out the hinges and offer the door up to the opening so the hinges butt up hard against the door stop. This will give you the correct position.

Fix two of the self-drilling screws provided into the top hinge and then one in the lower hinge to ensure alignment. Test the door to ensure it swings correctly.



> **STEP 6** Final fix

Fix the rest of the hinges.

Important

When using the FD60 54mm door hinges, the hinge positions will be governed by the reinforcing plates spot welded to the back of the frame.

When fitting 54mm hinges, it will be necessary to pilot the holes first with a 3mm drill bit.

All fixings required for the hinges are provided.



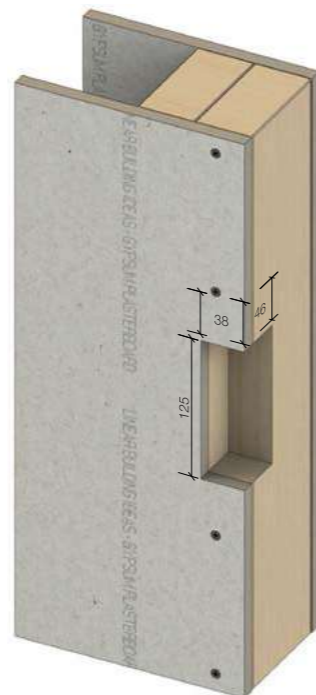
IMPORTANT The wall should be constructed as per our recommendation in the Wall Construction Preparation booklet.

SOSS hinge Installation instructions



> STEP 1 Notch hinge stud

The hinge stud needs to be notched to accommodate each bracket and hinge.



Offer the hinge jamb up to the stud and mark a line at the top of the hinge in all the hinge brackets.



Using the SOSS notch template, line the slot in the template up with the lines you have made on the stud and draw around the template. This gives you the size of the notch required.



The recommended tool for cutting the notch is the multi purpose saw. This is available for hire or purchase from Linear. Further details are at the back of the booklet.



> **STEP 2** Fit frame screws

EZY-Jamb doorsets come pre-morticed for SOSS hinges. There is a bracket fitted to the back of the door frame to which the hinge is fitted.

Above and below the hinge hole there are 2 extra screw fixing holes through the face of the frame. These are required to give the frame additional support. When fitting these screws be careful not to over tighten them as they may buckle or twist the frame.



> **STEP 3** Fit bracket supporting screws

There are also 2 fixing holes provided in the hinge bracket itself that must be fixed through into the stud behind.

Important

These screws are locating screws only, to be wound in so the screw head meets the bracket, but not to be tightened further, which could result in the frame twisting.



> **STEP 4** Fit hinges to door leaf

Fit the hinges to the door leaf using the screws provided.

Important

It is imperative that great care is taken when fitting the hinges to the door leaf as there is very little adjustment once the hinges have been installed. Even when the door leaf is provided with pre-morticed slots for the hinges, time needs to be taken to ensure the hinges are fitted in the door straight and square, and the centre-centre dimensions on the frame are identical to the door leaf.



> **STEP 5** Hang door leaf to frame

Open out the hinges and with the help of an assistant or a door lifter, offer up and locate the hinges into the mortices in the frame. They are secured using the PH2 bolts provided.

Adjusting the door leaf

If the door needs adjusting or packing out in any way, washers can be used behind the hinge in the door leaf side of the hinge. It is recommended that the washers are fixed to the hinge with an adhesive.



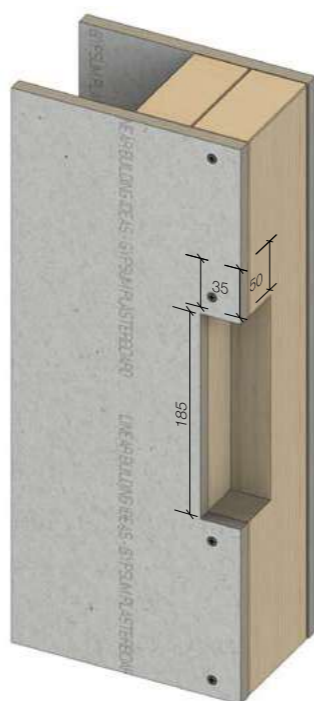
IMPORTANT The wall should be constructed as per our recommendation in the Wall Construction Preparation booklet.

ROC-York hinge Installation instructions

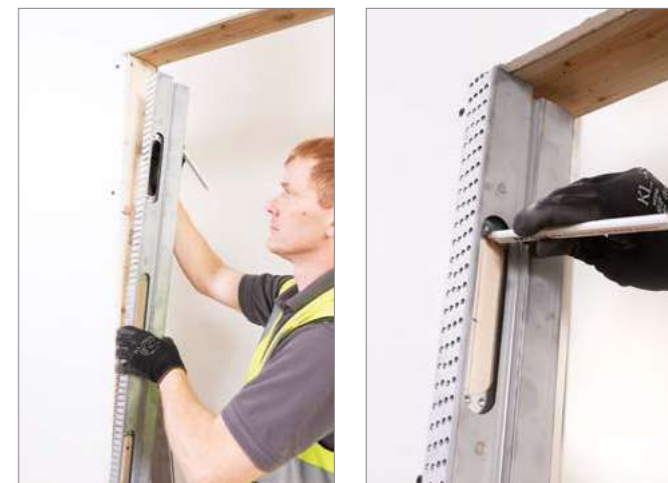


> STEP 1 Notch hinge stud

The hinge stud needs to be notched to accommodate each bracket and hinge.



Offer the hinge jamb up to the stud and mark a line at the top of the hinge in all the hinge brackets.



Using the ROC-York notch template, line the slot in the template up with the lines you have made on the stud and draw around the template. This gives you the size of the notch required.

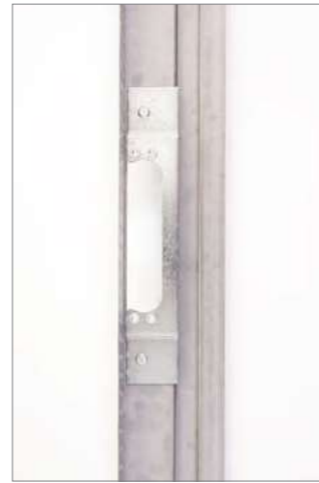


The recommended tool for cutting the notch is the multi purpose saw. This is available for hire or purchase from Linear. Further details are at the back of the booklet.



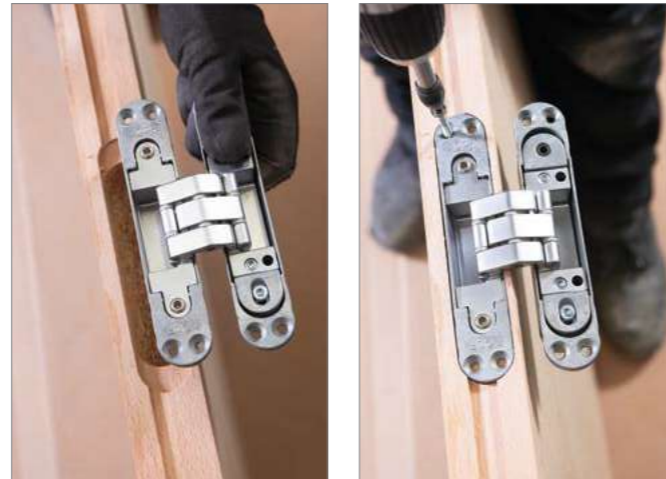
> **STEP 2** Identify frame

EZY-Jamb doorsets come pre-morticed for ROC-York hinges. There is a bracket installed on the door frame with pre-threaded holes for simple and secure installation.



> **STEP 3** Fit hinges

Fit the hinges to the door leaf using the screws provided as shown.



> **STEP 4** Fit to frame

Open out the hinges and with the help of an assistant or a door lifter, offer up and locate the hinges into the mortices in the frame. They are secured using the PH2 bolts provided.

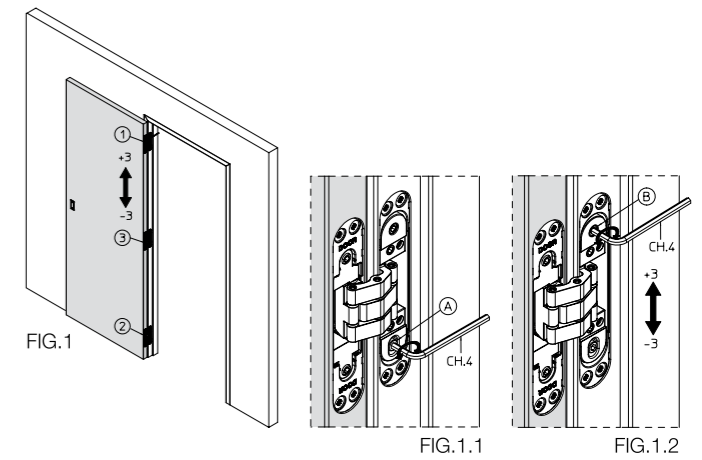


> **STEP 5** Adjustments

Vertical adjustment

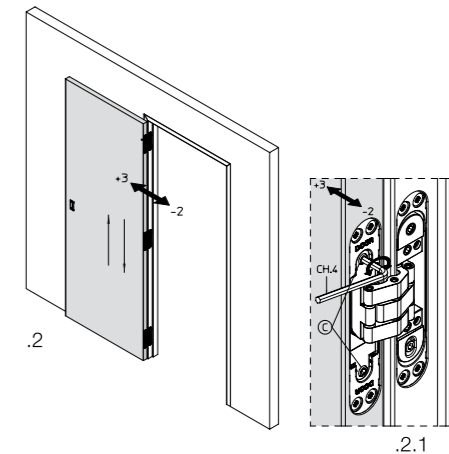
Loosen screw A on all hinges (FIG. 1.1). Proceed with the adjustment of the upper hinge (1). Adjust the hinge by rotating screw B (FIG.1.2), then tighten the screw A. Repeat the adjustment on the lower hinge (2) and finally on the central hinge in the middle (3) so that the door leaf weight will be evenly distributed on all hinges.

It is extremely important to obtain a definite adjustment by acting gradually on all mounted hinges.



Horizontal adjustment

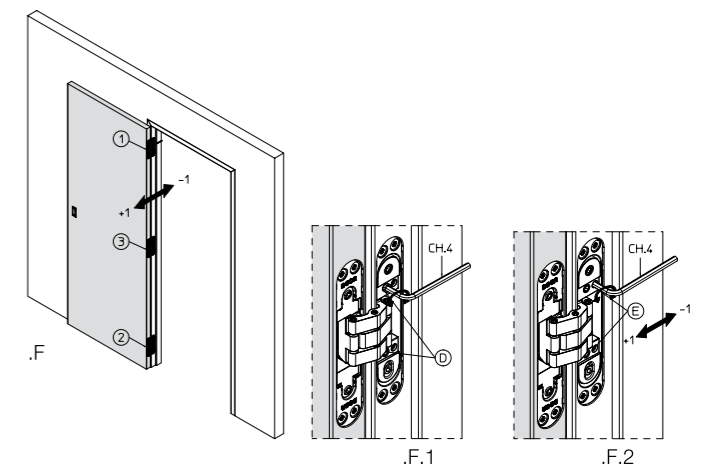
Adjust the door leaf by rotating pins C (Wall Construction Preparation. 2.1). Repeat the adjustment on all hinges as shown in the sequence (FIG. 2).



Depth adjustment

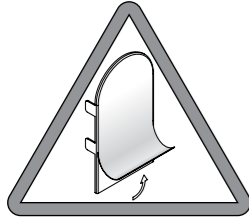
Loosen screw D (FIG.3.1). Adjust the door leaf by rotating the screws E and tighten screw D (FIG.3.1). Repeat the adjustment on the other hinges as per sequence shown in FIG.3.

After having reached the optimal adjustment with the screw, fix the screw to lock the hinge without forcing.



> **STEP 6** Fit cover plates

Remove the film from the cover plates. Fit the cover plates to the face of the hinge mechanism by carefully clipping into place to finish off the installation.



> Remove protective film

Congratulations - you've now completed the hinge installation for your EZY-Jamb doorset!



Multi purpose saw

> **MULTI-TOOL**

The recommended tool for cutting in the notches is the multi purpose saw. This can be hired or purchased from Linear.

Purchase

£185.00 + VAT

Includes the Bosch multi-tool and x2 blades.

Hire

First week £50.00 + VAT

Includes delivery and collection plus x1 blade.

£15.00 + VAT per week thereafter.

Additional blades

£14.00 + VAT

x1 standard multi purpose blade for timber and metal.

For more information speak to our advisors today:

0113 245 9559



> Bosch multi-tool



EZYjamb[®]

EZYriser[™]



Architectural Hardware



Door Solutions



Access Solutions



Washroom Solutions

Leeds Office

Forge House
42-44 Burley Road
Leeds
LS3 1JX
T: 0113 245 9559
F: 0113 245 9779

Ashford Office

Ground Floor, Unit 4
Highpoint Business
Village, Ashford
TN24 8DH
T: 0123 364 7788
F: 0123 365 5244

London Office

Hamilton House
Mabledon Place
Off Euston Road
London, WC1H 9BB
T: 0207 099 8299
F: 0207 099 9351

Sheffield Office

Suite 168
49 Eldon Street
Sheffield
S1 4NR
T: 0114 345 0235
F: 0114 345 0236

